



DC-DC CONVERTER

CL2

Features

- Isolated output
- Low noise
- The automatic reset type overcurrent protection
- small size
- Size: 31.75×20.3×11.8mm

Maximum Rating and Environmental Characteristics

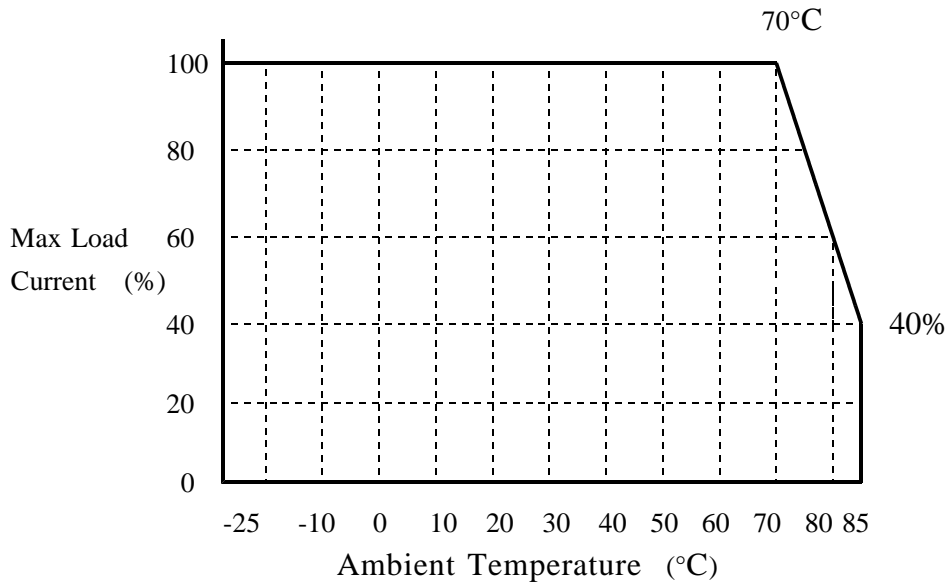
Maximum Input Voltage CL2 -05 9V	Operating Temperature Range -25 ~ +85°C Storage Temperature Range -40 ~ +100°C Humidity Range 20 ~ +95%RH Vibration 2G(10~55Hz) Impact Shock 20G
Isolation Withstand AC500V	

Electrical Characteristics (Ta=+25°C)

Model	Input Voltage(V)	Output Voltage(V)	Output Current (mA)	Output Regulation Ratio(%)	Output Noise (mVpp)	Efficiency (%)	
						MIN	TYP
CL2S05-05	4.5 ~ 6	5.0	400	0.3	8	70	76
CL2S12-05	4.5 ~ 6	12.0	170	0.3	8	70	76
CL2S15-05	4.5 ~ 6	15.0	140	0.3	8	70	76
CL2D12-05	4.5 ~ 6	± 12.0	± 90	0.3	8	70	76
CL2D15-05	4.5 ~ 6	± 15.0	± 70	0.3	8	70	76

Derating

Load vs Ambient Temperature

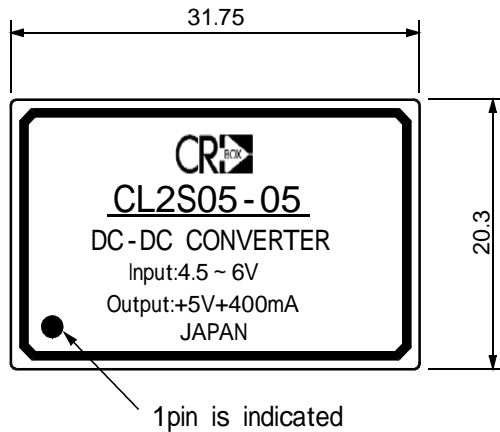


Ordering information

CL 2 _ _ - _

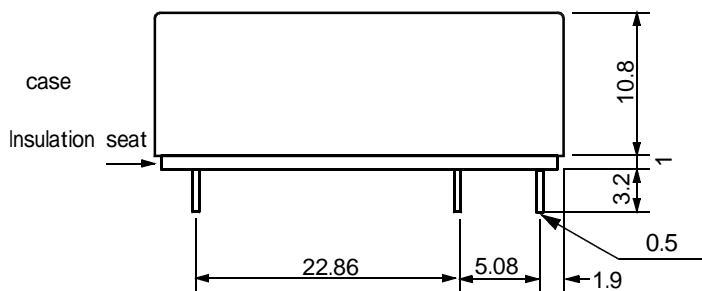
- Series name
- Output wattage
- Output(Single/Double)
- S:Single D:Double
- Output voltage
- Input voltage

Dimensions

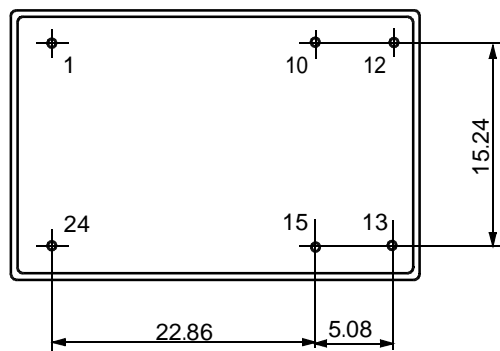


Units :mm
Tolerances : ±0.5

material
Label:PET
Case:Brass black laser tone painting
Insulation seat:CEM-3 1.6t
Pin : 0.5 Brass gold plating
Mold :Silicone rubber mold



CL2S- * - *	CL2D * - *
Terminal connection	Terminal connection
1 : -Vin	1 : -Vin
10 : COM	10 : -Vout
12 : COM	12 : COM
13 : +Vout	13 : COM.
15 : +Vout	15 : +Vout
24 : +Vin	24 : +Vin



There is no indication of the terminal number.